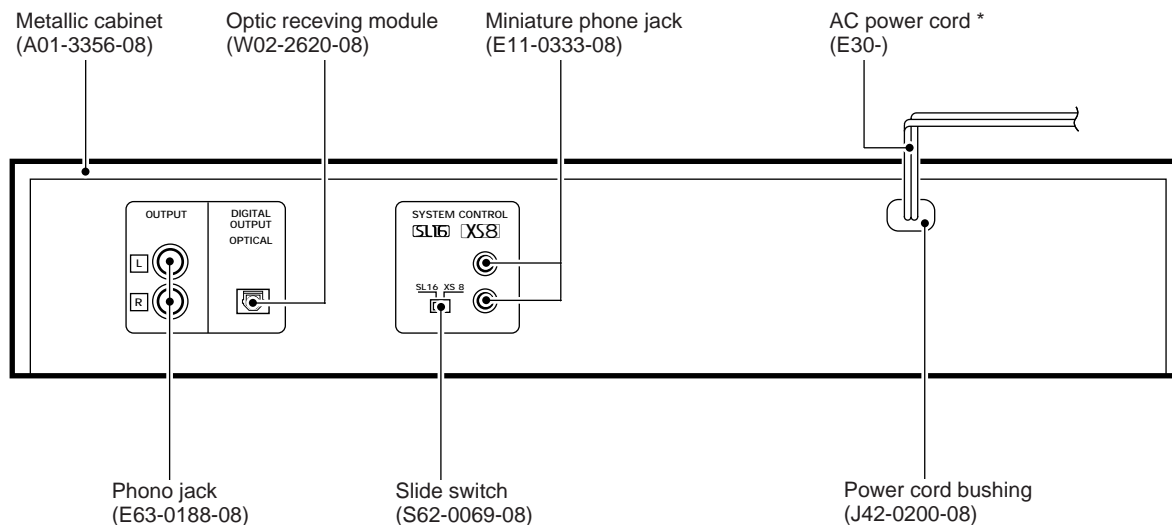
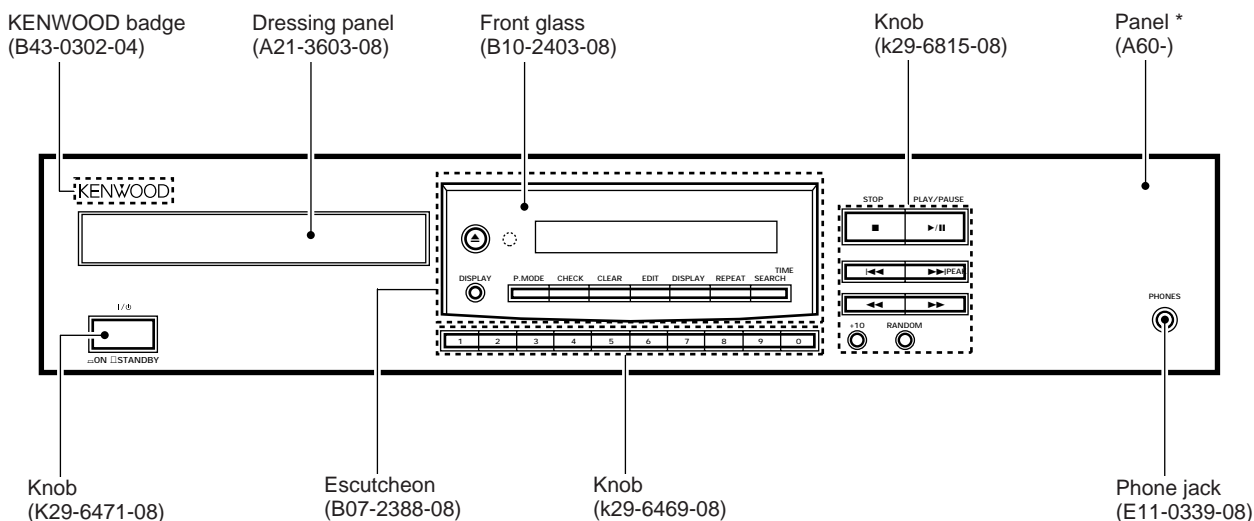


COMPACT DISC PLAYER  
**DP-3080MkII/3090**  
 SERVICE MANUAL

**KENWOOD**

© 1997-8/B51-5349-00 (K/K) 2172



Illust is DP-3080MkII.

\* Refer to parts list on page 14.

In compliance with Federal Regulations, following are reproductions of labels on, or inside the product relating to laser product safety.

KENWOOD-Corp. certifies this equipment conforms to DHHS Regulations No. 21 CFR 1040. 10, Chapter 1, Subchapter J.

**DANGER : Laser radiation when open and interlock defeated. AVOID DIRECT EXPOSURE TO BEAM.**

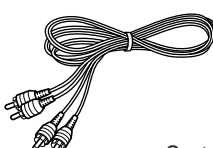
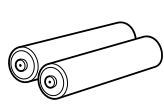
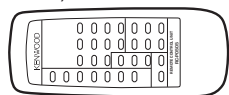
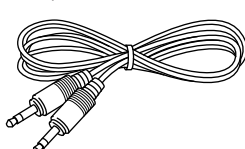
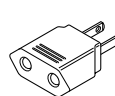
# DP-3080MkII/3090

## CONTENTS / ACCESSORIES / CAUTIONS

### Contents

CONTENTS / ACCESSORIES / CAUTIONS.....	2	SCHEMATIC DIAGRAM .....	7
DISASSEMBLY FOR REPAIR .....	2	EXPLODED VIEW .....	12
CIRCUIT DESCRIPTION .....	3	PARTS LIST.....	14
ADJUSTMENT .....	4	SPECIFICATIONS .....	17
PC BOARD .....	5		

### Accessories

Audio cord.....(1) (E30-2841-08)	Batteries (R6/AA).....(2)	Remote control unit.....(1) (A70-1181-08) : RC-P03050
		
System control cord.....(1) (E30-2629-05)	AC plug adaptor.....(1) (E40-9981-08) M type only	Battery cover (A09-0356-08)
		

### Cautions

**Note related to transportation and movement**  
 Before transporting or moving this unit, carry out the following operations.  
 1. Turn the power ON but do not load a disc.  
 2. Verify that the display shown appears.  
 3. Wait a few seconds and set the unit to STANDBY mode.

TRACK	1	2	3	4	5
no disc	6	7	8	9	10
	11	12	13	14	15
	16	17	18	19	20

**Beware of condensation**  
 When water vapor comes into contact with the surface of cold material, water drops are produced. If condensation occurs, correct operation may not be possible, or the unit may not function correctly. This is not a malfunction, however, the unit should be dried. To do this, turn the ON/STANDBY switch ON and leave the unit as it is for several hours.

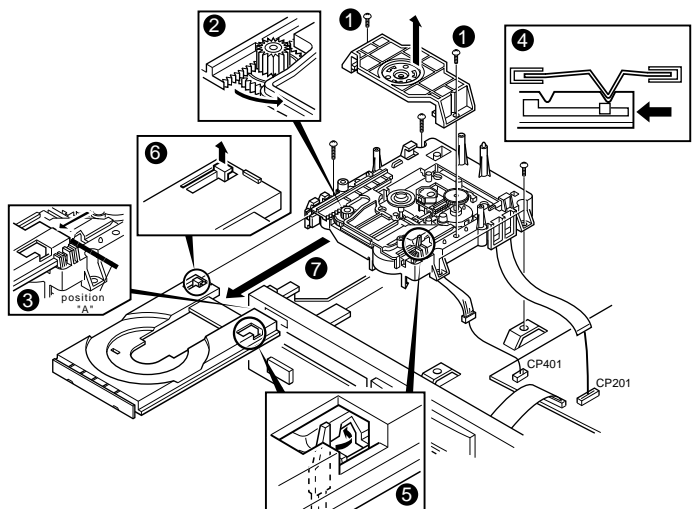
**Be especially careful in the following conditions:**

- When the unit is brought from a cold place to a warm place, and there is a large temperature difference.
- When a heater starts operating.
- When the unit is brought from an air-conditioned place to a place of high temperature with high humidity.
- When there is a large difference between the internal temperature of the unit and the ambient temperature, or in conditions where condensation occurs easily.

## DISASSEMBLY FOR REPAIR

How to remove the CD tray.

- ★ Remove the CD mechanism from unit before this step.
1. Remove the 2 screws (1), then remove the clamber fram.
  2. Turn the gear (2) under the tray, then remove the tray on the position A (3).
  3. Remove the guide frame (4), then remove the collar of the leaf switch in the left direction (5).
  4. While raising the click on the left-rear side of the tray (6), pull out the tray (7).



# DP-3080MkII/3090

## CIRCUIT DESCRIPTION

### 1. Microprocessor ; (MAIN unit ; IC601)

#### 1-1 Pin description

Pin No.	Pin name	I/O	Description
1	GFS	I	NOT USED
2	RMC	I	REMOCON INPUT PRT
3-5	-	I	NOT USED
6	MUTE	O	DIGITAL MUTE (ON: "H")
7	MLEN	O	TC9423F LATCH CONTROL
8	MCK	O	TC9423F CLOCK CONTROL
9	SENS	I	SENSE INPUT FROM CXD2507
10	MDT	O	TC9423F DATA CONTROL
11	SQCK	O	CLOCK TO READ Q_DATA
12	SUBQ	I	Q_DATA INPUT PORT
13	-	O	NOT USED
14-17	KR0-KR3	I	KEY INPUT PORT
18	OPEN_M	O	OPEN MOTOR (ACTIVE "L")
19	CLOSE_M	O	CLOSE MOTOR (ACTIVE "L")
20	MON	O	SPINDLE MOTOR ON "H"
21	-	O	NOT USED
22	DATA	O	DATA OUT TO CXD2507
23	XLT	O	LATCH OUT TO CXD2507
24	CLK	O	CLOCK OUT TO CXD2507
25	FOK	I	FOCUS OK INPUT PORT
26	LDON	O	LASER OUTPUT (ON: "L")
27	A_MUTE	O	ANALOGUE MUTE (ON: "H")
28	XRST	O	IC RESET PORT
29	AD_IN	I	A/D CONVERT INPUT PORT
30	RESET	-	(RESET)
31	XI	-	(XTAL1)
32	XO	-	(XTAL0)
33	Vss	-	(GND)
34-46	-	O	NOT USED
47-57	S11-S1	O	FL SEGMENT PORT
58-61	-	O	NOT USED
62-70	G9-G1	O	FL DIGIT PORT
71	Vfdp	-	FL DRIVER POWER (-26V)
72	Vdd	-	(+5V)
73	NC	-	CONNECTED TO Vdd
74	FED_SW	I	LIMIT SWITCH (ON: "L")
75	MODE_SW	I	8/16BIT (L: 8BIT , H: 16BIT)
76	S_DATA	I/O	SYSTEM SERIAL DATA
77	S_BUSY	I/O	SYSTEM SERIAL BUSY
78	SCCR	I	SCOR FROM CXD2507
79	OP_SW	I	OPEN SWITCH (ON: "L")
80	CL_SW	I	CLOSE SWITCH (ON: "L")

# DP-3080MkII/3090

## ADJUSTMENT

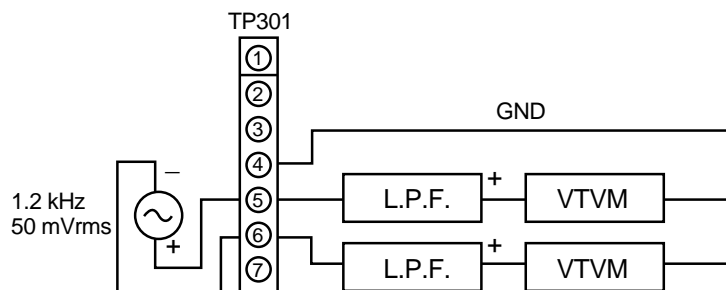
No.	ITEM	INPUT SETTING	OUTPUT SETTING	PLAYER SETTING	ALIGNMENT POINT	ALIGN FOR	FIG.
<b>1. WITH PRESSING PLAY/PAUSE (▶/⏸) TURN THE POWER ON TO ENTER THE TEST MODE.</b> <b>2. SET THE TEST DISC TO DISC NO SONY YEDS-18. (TYPE4)</b>							
1	FOCUS OFFSET	TEST DISC TYPE 4	CONNECT AN OSCILLOSCOPE to TP301 CH1 : RF(①)	STOP	VR301 FE OFFSET	DC=0V	
2	TRACKING BALANCE	TEST DISC TYPE 4	CONNECT AN OSCILLOSCOPE to TP301 CH1 : TE1(⑤) CH2 : VC(④)	PLAY SHORT-CIRCUIT TP2 WITH TP5 AFTER THE ADJUSTMENT REMOVE SHORT-WIRE	VR302 TE BALANCE	SYMMETRY BETWEEN UPPER AND LOWER	
3	TRACKING GAIN	Test disc type4 Apply signal of 1.2kHz 50mVrms to TP301 pin5-6.	Connect a LPF to TP301 pin 5-6 to which you connect an oscilloscope or AC voltmeters.	PLAY	VR303 TE GAIN	Two VTVMs should read the same value.	(e)

Note:

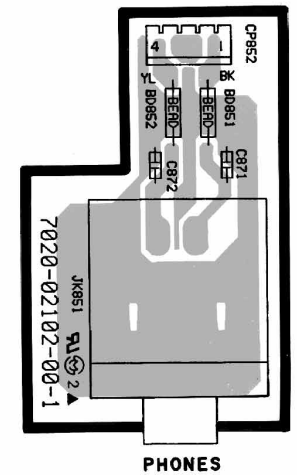
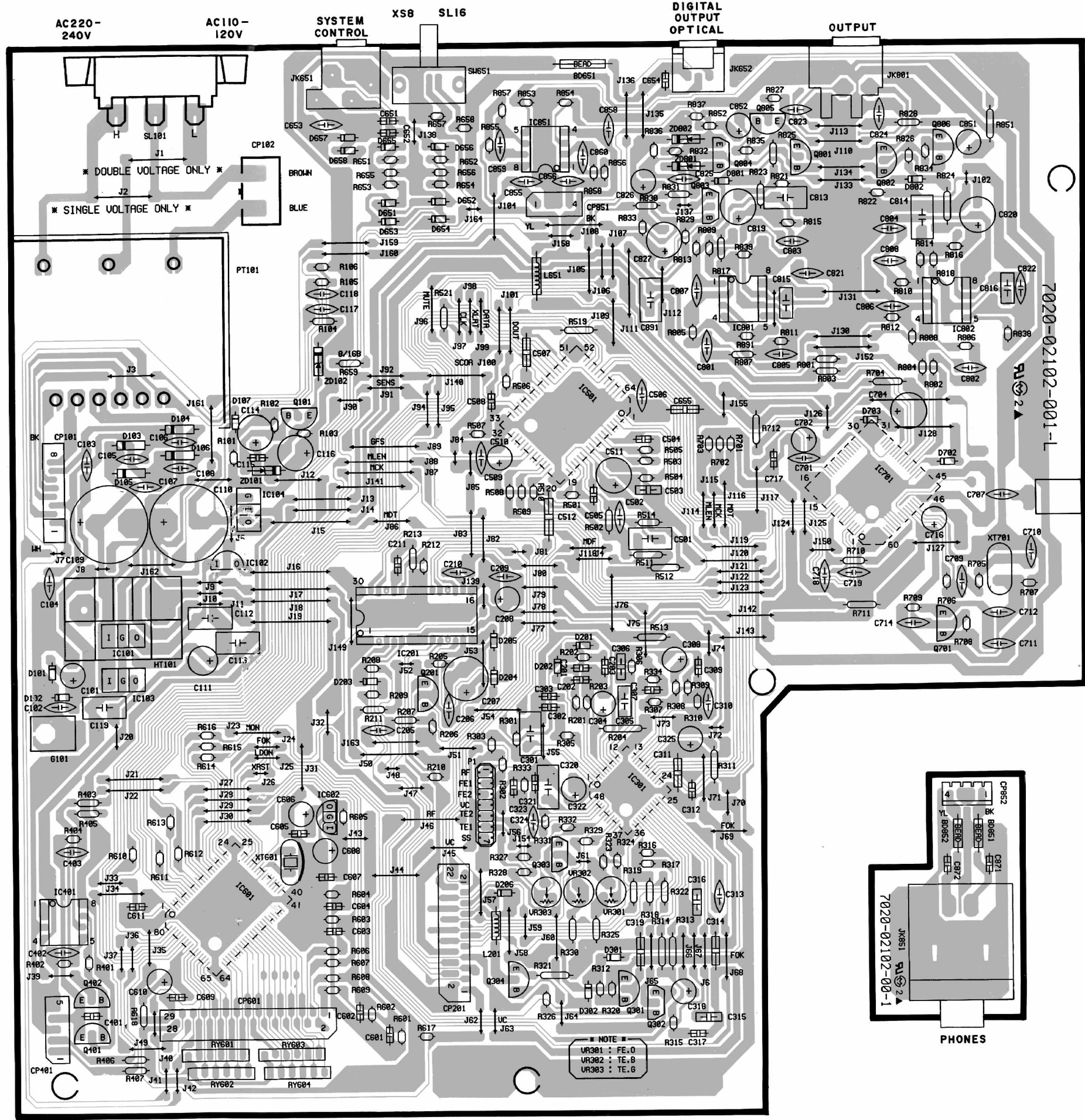
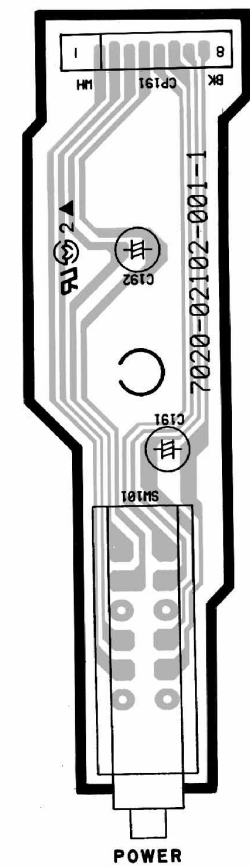
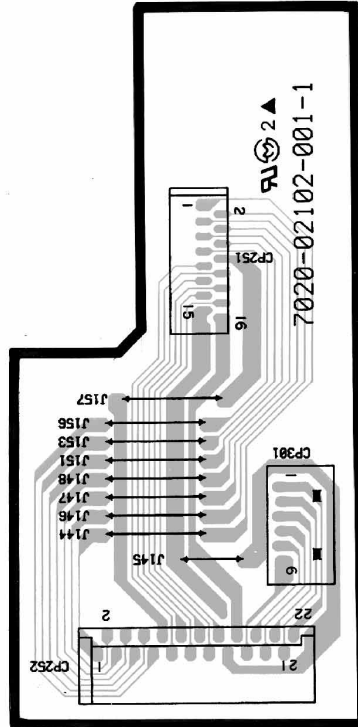
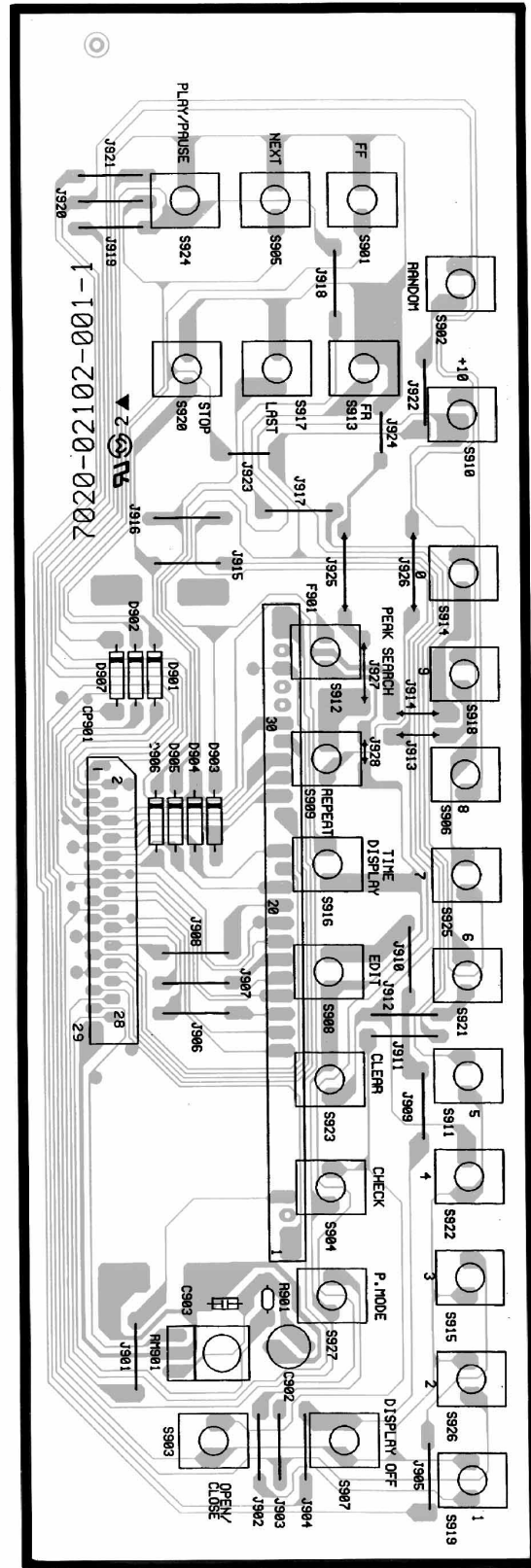
Type 4 disc : SONY YEDS-18 Test Disc or equivalent.

LPF: Around 47 kΩ+ 390 pF or so.

### (e) Tracking gain



# PC BOARD(Component side view)

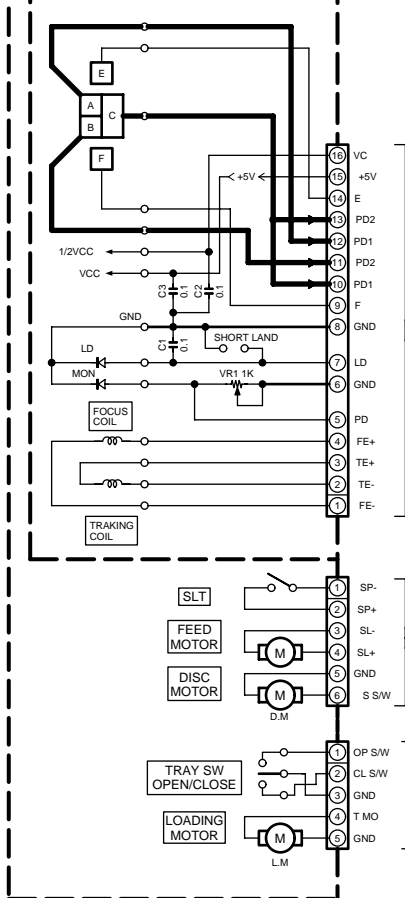


Refer to the schematic diagram for the value of resistors and capacitors.

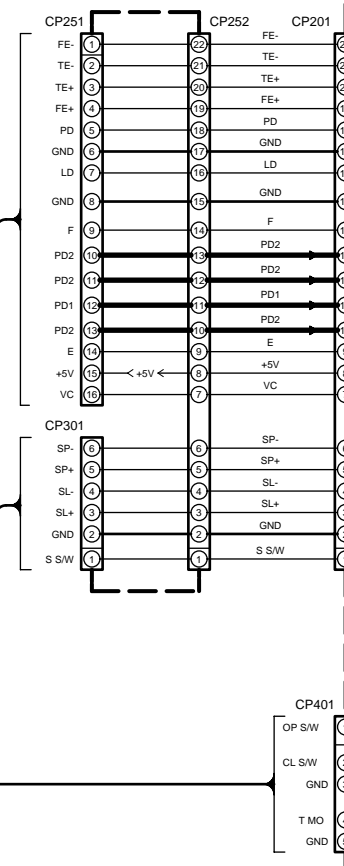
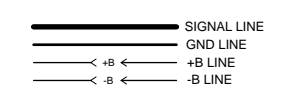
MECHA. ASS'Y

TRAVERSE UNIT : D40-1500

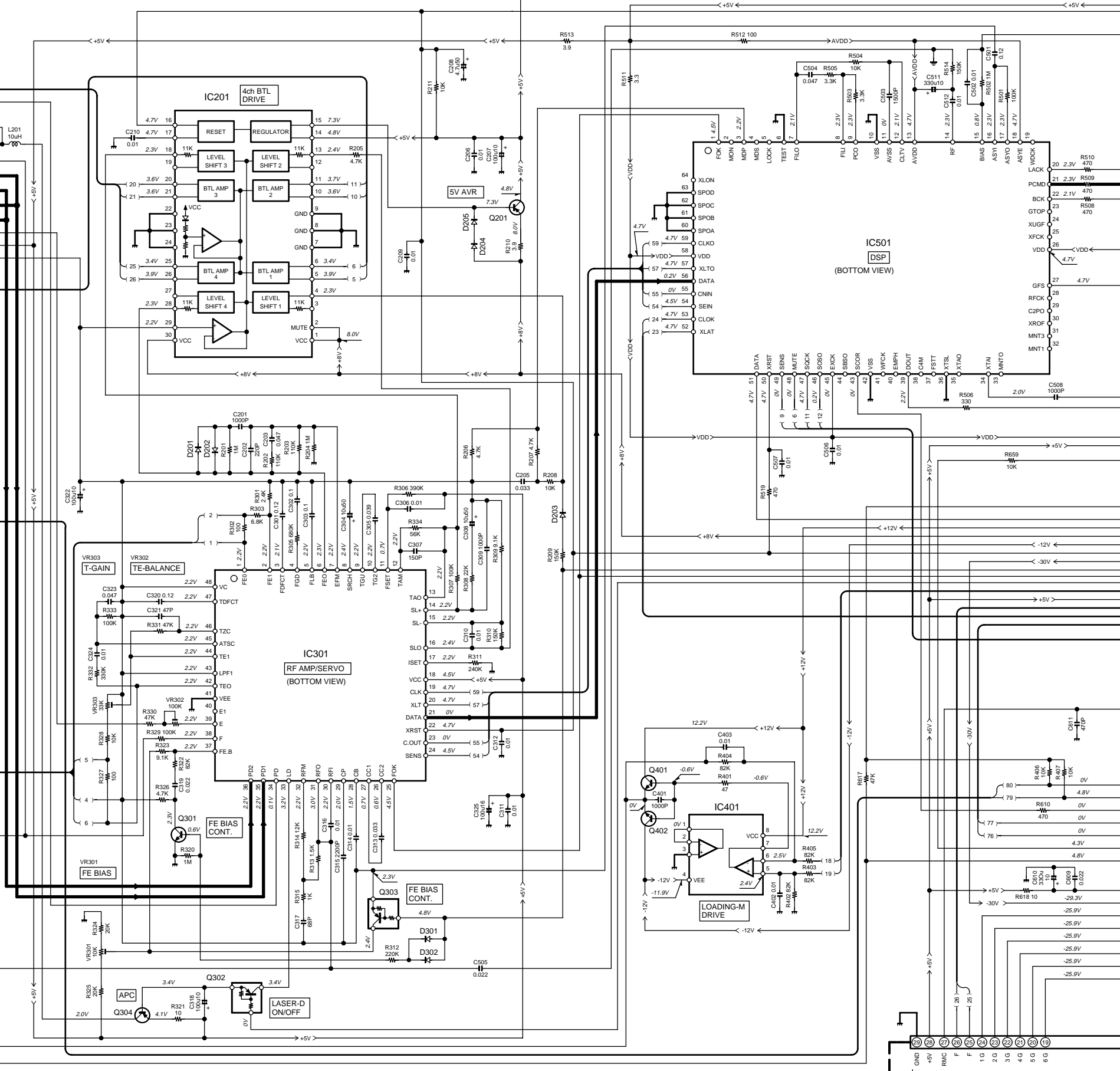
PICKUP ASS'Y:T25-0050-05



- |               |                 |
|---------------|-----------------|
| IC101         | : KIA7808AP     |
| IC102         | : ICP-N20       |
| IC103         | : KIA7812PI     |
| IC104         | : NJM79M12FA    |
| IC201         | : LA6541D       |
| IC301         | : CXA1782BQ     |
| IC401         | : NJM4558DD     |
| IC501         | : CDX2507AQ     |
| IC601         | : CXP32316-332Q |
| IC602         | : KIA7042P      |
| IC701         | : KAN03TC9423F  |
| IC801,802,851 | : NJM4580DD     |
- 
- |                  |              |
|------------------|--------------|
| Q101,304         | : 2SA1266    |
| Q201             | : 2SA1277(Y) |
| Q301             | : 2SC3198(Y) |
| Q302,303         | : DTA124ES   |
| Q401             | : 2SC2236    |
| Q402             | : 2SA1273    |
| Q701             | : 2SC3194(Y) |
| Q801,802,805,806 | : KTC2878    |
| Q803,804         | : DTC124ES   |
- 
- |  |           |
|--|-----------|
| D102,107,201-206,301,302,650,652-658,702,703,801,802,901-907 | : 1N4148M |
| D103-106   | : 1N4002A |
- 
- |           |            |
|-----------|------------|
| ZD101     | : MTZJ30B  |
| ZD102,801 | : MTZJ5.6B |
| ZD802     | : MTZJ4.7B |
- 
- |      |           |
|------|-----------|
| F901 | : FIP9KM5 |
|------|-----------|



ADJUSTMENT (TEST PIN)



2

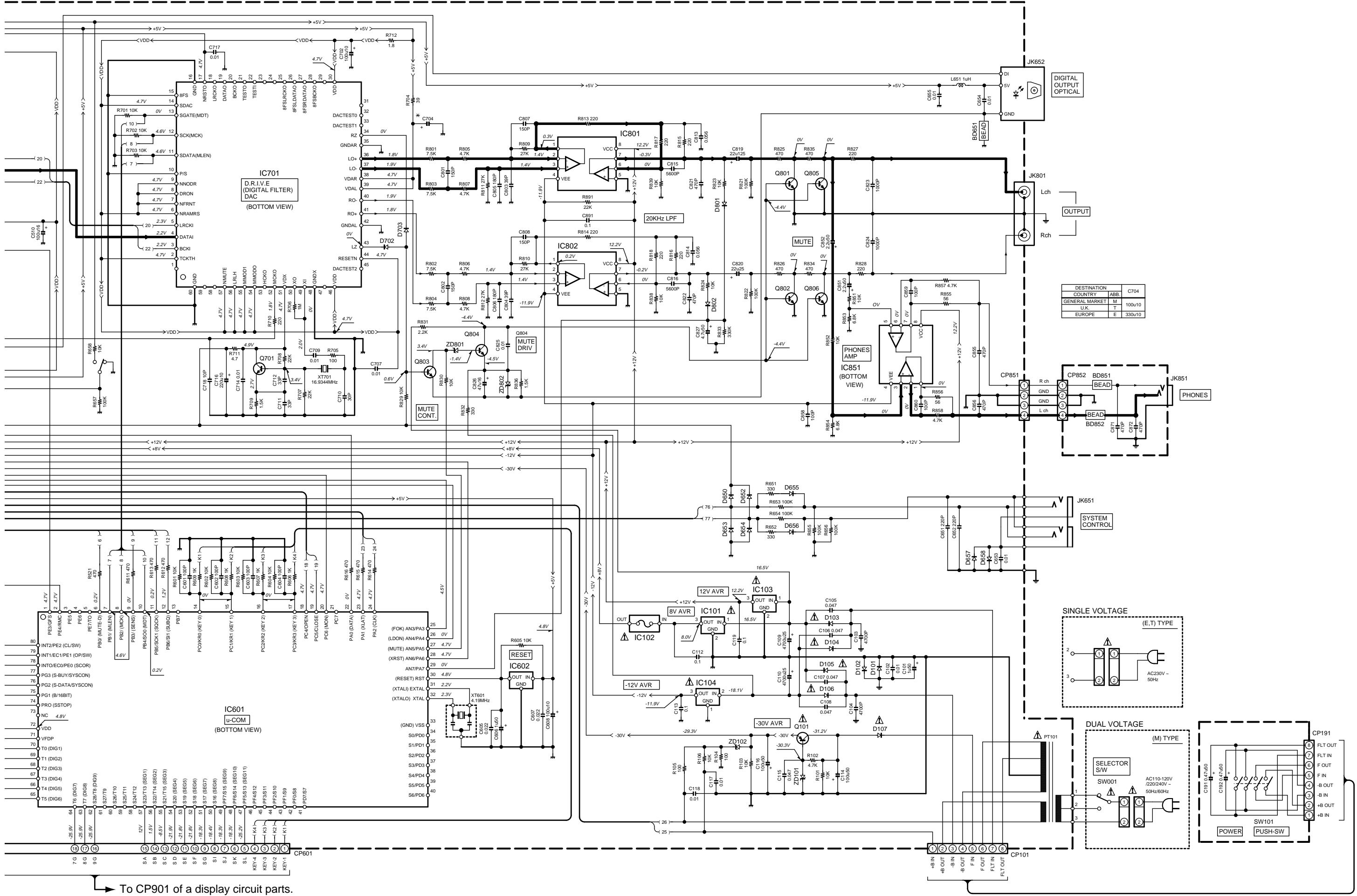
3

4

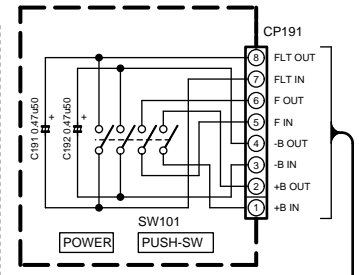
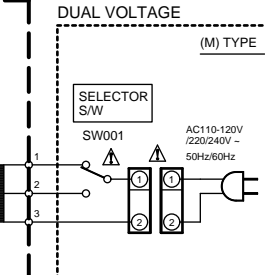
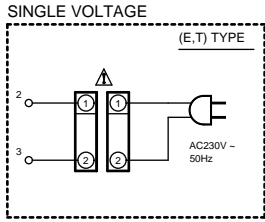
5

6

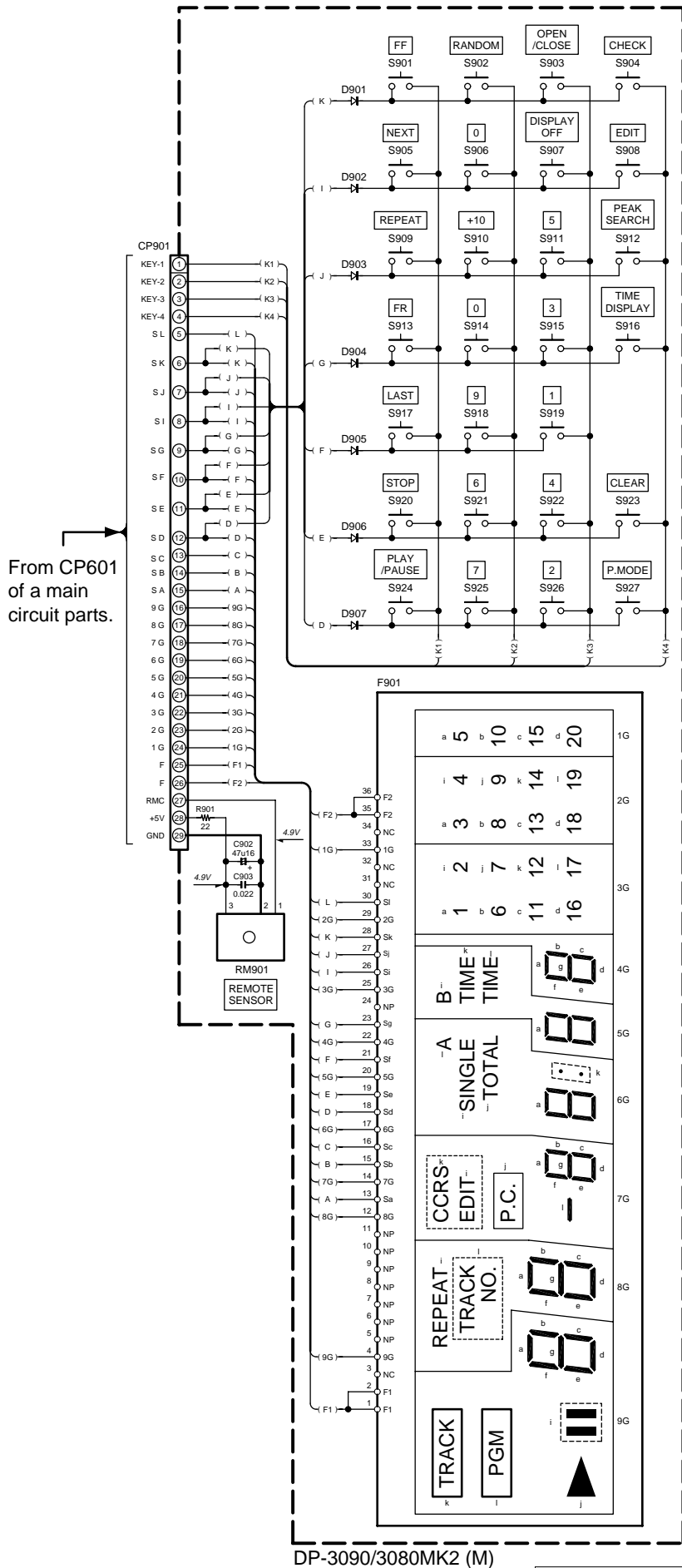
7



DESTINATION	COUNTRY	ABB	C704
GENERAL MARKET	M	T	100u10
U.K.	F	T	330u10
EUROPE	E	T	330u10



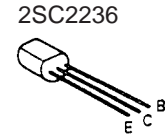
To CP901 of a display circuit parts.



DP-3090/3080MK2 (M)

**CAUTION:** For continued safety, replace safety critical components only with manufacturer's recommended parts (refer to parts list).  $\Delta$  indicates safety critical components. For continued protection against risk of fire, replace only with same type and rating fuse(s). To reduce the risk of electric shock, leakage-current or resistance measurements shall be carried out (exposed parts are acceptably insulated from the supply circuit) before the appliance is returned to the customer.

The DC voltage is an actual reading measured with a high impedance type voltmeter. The measurement value may vary depending on the measuring instruments used or on the product. Refer to the voltage during PLAY unless otherwise specified; The value shown in ( ) is the voltage measured at the moment of STOP.



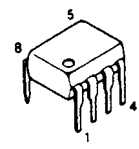
2SC2236



DTA124ES  
DTC124ES

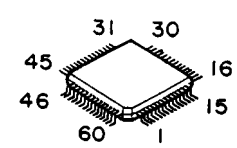
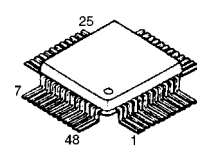
NJM79M12FA

NJM4558DD



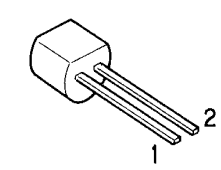
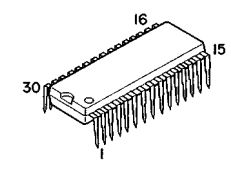
CXA1782BQ

KAN03



LA6541D

ICP-N20



# DP-3080MkII/3090

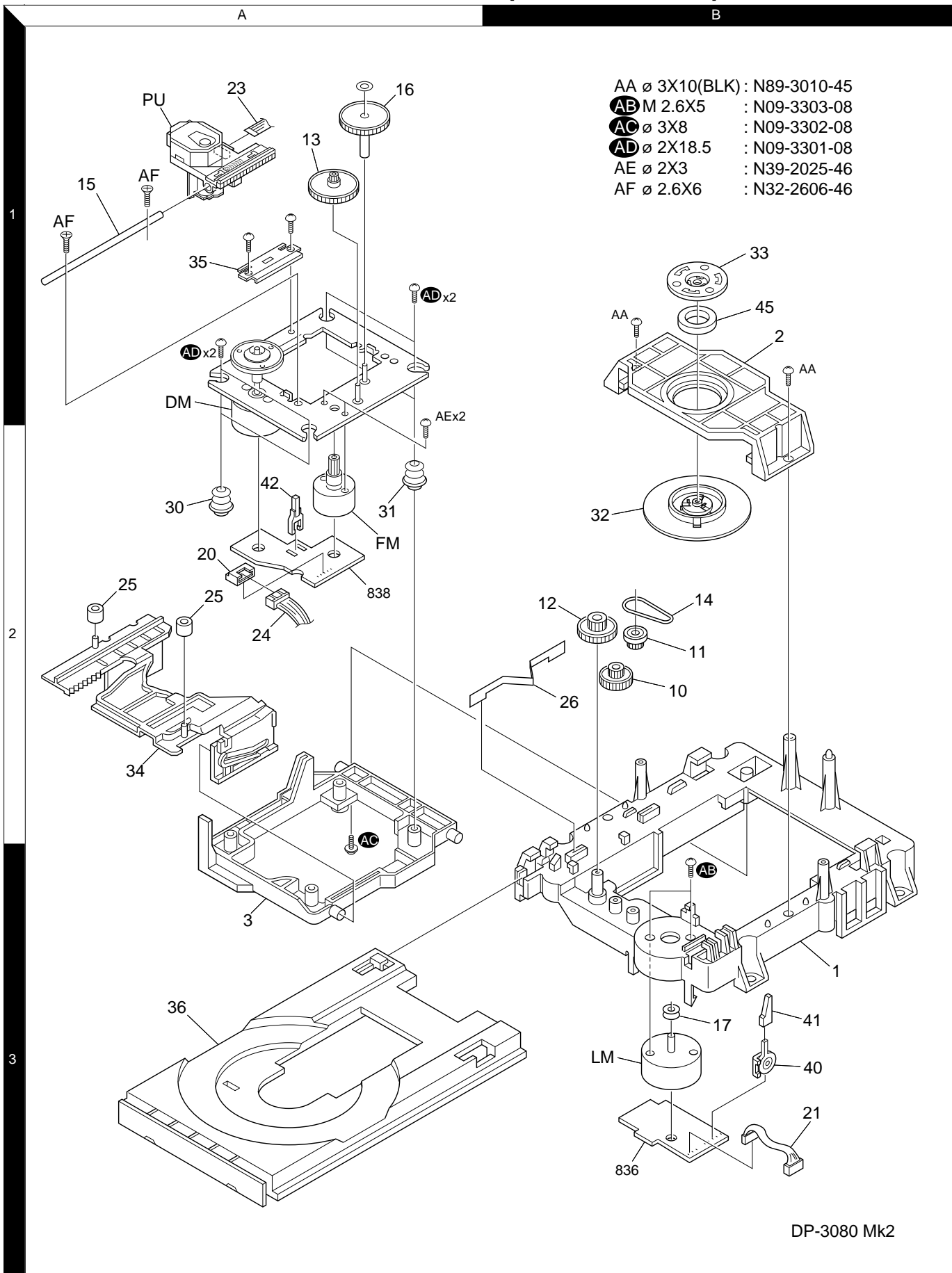
Y22-7232-70

**KENWOOD**



# DP-3080MkII/3090

## EXPLODED VIEW (MECHANISM)

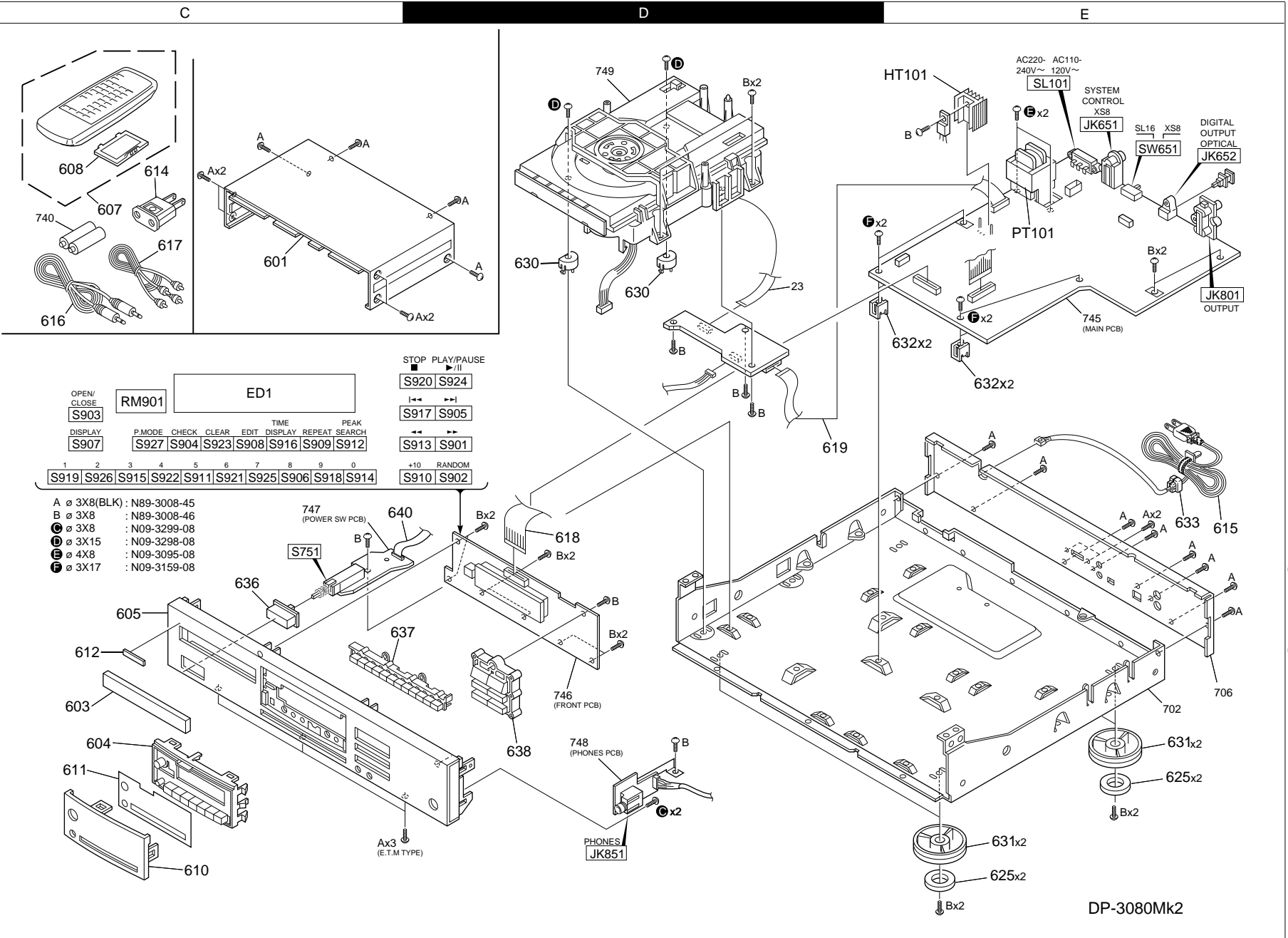


DP-3080 Mk2

Parts with exploded view numbers larger than 700 are not supplied.

# EXPLODED VIEW (UNIT)

## DP-3080MkII/3090



Parts with exploded view numbers larger than 700 are not supplied.

\* New Parts  
Parts without **Parts No.** are not supplied.  
Les articles non mentionnes dans le **Parts No.** ne sont pas fournis.  
Teile ohne **Parts No.** werden nicht geliefert.

1

Ref. No	Add-ress	New Parts	Parts No.	Description	Desti-nation	Re-marks
<b>DP-3080MkII/3090</b>						
601	1C		A01-3356-08	COVER		
603	2C	*	A21-3603-08	COVER-AFTER PROCESS		
604	2C	*	B07-2388-08	PANEL-AFTER PROCESS		
605	2C	*	A60-1279-08	PANEL-AFTER PROCESS	E	
605	2C		A60-1280-08	PANEL-AFTER PROCESS	MT	
607	1C	*	A70-1181-08	REMOCON		
608	1C	*	A09-0356-08	BATTERY COVER		
610	2C	*	B10-2403-08	WINDOW-AFTER PROCESS		
611	2C		B11-0332-08	FILTER-AFTER PROCESS		
612	2C		B43-0302-04	BADGE		
-		*	B46-0340-03	WARRANTY CARD	ET	
-		*	B60-3352-08	INSTRUCTION MANUAL-A(ENGLISH)	TM	
-		*	B60-3353-08	INSTRUCTION MANUAL-A(GERMAN)	E	
-		*	B60-3354-08	INSTRUCTION MANUAL-A(ITAL/FRN)	E	
-		*	B60-3356-08	INSTRUCTION MANUAL-A(CHINESE)	M	
Δ 614	1C		E40-9981-08	PLUG,CONVERSION	M	
Δ 615	1E		E30-2873-08	CORD,AC	E	
615	1E		E30-2874-08	CORD,AC	M	
616	1C		E30-2629-05	CORD,RCA	T	
617	1C		E30-2841-08	CORD,RCA	E	
618	2D		E35-1602-08	HARNESS WIRE	T	
619	1D	*	E35-2076-08	HARNESS WIRE	E	
-			G11-2265-08	CUSHION	T	
-		*	H10-7403-08	CUSHION,SNOW		
-		*	H10-7404-08	PAD		
-		*	H25-1601-08	POLY BAG-AFTER PROCE		
-		*	H50-2606-08	BOX,GIFT-AFTER PROCE	E	
-		*	H50-2607-08	BOX,GIFT-AFTER PROCE	T	
-		*	H50-2608-08	BOX,GIFT-AFTER PROCE	M	
630	1D		J32-0339-08	STUT		
631	2E		J02-1166-08	FOOT		
632	1E		J19-5725-08	SUPPORTER		
Δ 633	2E		J42-0200-08	STOPPER		
636	2C		K29-6471-08	BUTTON		
637	2C		K29-6469-08	BUTTON-AFTER PROCESS		
638	2D		K29-6815-08	BUTTON-AFTER PROCESS		
C			N09-3299-08	SCREW,TAP TITE		
D			N09-3298-08	SCREW,TAPPING		
E			N09-3095-08	SCREW		
F			N09-3159-08	SCREW,TAP TITE		
<b>ELECTRICITY CIRCUIT UNIT</b>						
C101			CE04KW1H010M	ELECTRO	1.0UF	50WV
C102			CK45FF1H103Z	CERAMIC	0.010UF	Z
C103,104			CK45FF1H472Z	CERAMIC	4700PF	Z
C105-108			CK45FF1H473Z	CERAMIC	0.047UF	Z
C109,110			CE04KW1E472M	ELECTRO	4700UF	25WV
C111			CE04KW1H101M	ELECTRO	100UF	50WV
C112,113			CQ92FM1H104J	MYLAR	0.10UF	J
C114			CE04KW1H101M	ELECTRO	100UF	50WV
C115			CK14F1H473Z	CERAMIC	0.047UF	Z
C116			CE04KW1H101M	ELECTRO	100UF	50WV

L : Scandinavia    K : USA    P : Canada    R : Mexico  
Y : PX(Far East, Hawaii)    T : Europe    E : Europe    G : Germany  
Y : AAFES(Europe)    X : Australia    M : Other Areas

Δ indicates safety critical components.

\* New Parts  
Parts without **Parts No.** are not supplied.  
Les articles non mentionnes dans le **Parts No.** ne sont pas fournis.  
Teile ohne **Parts No.** werden nicht geliefert.

2

Ref. No	Add-ress	New Parts	Parts No.	Description	Desti-nation	Re-marks
C117,118			CK45FF1H103Z	CERAMIC	0.010UF	Z
C119			CQ92FM1H104J	MYLAR	0.10UF	J
C191,192			CE04KW1CR47M	ELECTRO	0.47UF	16WV
C201			CK14B1H102K	C,CERAMIC HIK AXIAL		
C202			CK14B1H221K	C,CERAMIC HIK AXIAL		
C203			CK14F1H473Z	CERAMIC	0.047UF	Z
C205			CK45FF1H333Z	CERAMIC	0.033UF	Z
C206			CK45FF1H103Z	CERAMIC	0.010UF	Z
C207			CE04KW1A101M	ELECTRO	100UF	10WV
C208			CE04KW1H4R7M	ELECTRO	4.7UF	50WV
C209			CK45FF1H103Z	CERAMIC	0.010UF	Z
C210			CK45FF1H103Z	CERAMIC	0.010UF	Z
C211			CK14F1H473Z	CERAMIC	0.047UF	Z
C302,303			CK14F1H104Z	CERAMIC	0.1UF	Z
C304			CE04KW1H100M	ELECTRO	10UF	50WV
C305			CQ92FM1H393J	MYLAR	0.039UF	J
C306			CQ92FM1H103J	MYLAR	0.010UF	J
C308			CE04KW1H100M	ELECTRO	10UF	50WV
C309			CK14B1H102K	C,CERAMIC HIK AXIAL		
C310			CK45FF1H103Z	CERAMIC	0.010UF	Z
C311,312			CK14B1H103K	C,CERAMIC HIK AXIAL		
C313			CK45FF1H333Z	CERAMIC	0.033UF	Z
C314			CK14B1H103K	C,CERAMIC HIK AXIAL		
C315			CQ92FM1H222J	MYLAR	2200PF	J
C316			CQ92FM1H103J	MYLAR	0.010UF	J
C317			CC45SL1H680J	CERAMIC	68PF	J
C318			CE04KW1A101M	ELECTRO	100UF	10WV
C319			CK14F1E223Z	CERAMIC	0.022UF	Z
C321			CC45SL1H470J	CERAMIC	47PF	J
C322			CE04KW1A101M	ELECTRO	100UF	10WV
C323			CK14F1H473Z	CERAMIC	0.047UF	Z
C324			CK45FF1H103Z	CERAMIC	0.010UF	Z
C325			CE04KW1C101M	ELECTRO	100UF	16WV
C401			CK14B1H102K	C,CERAMIC HIK AXIAL		
C402,403			CK45FF1H103Z	CERAMIC	0.010UF	Z
C502			CK45FF1H103Z	CERAMIC	0.010UF	Z
C503			CQ92FM1H152J	MYLAR	1500PF	J
C504			CK14F1H473Z	CERAMIC	0.047UF	Z
C505			CK14F1E223Z	CERAMIC	0.022UF	Z
C506			CK45FF1H103Z	CERAMIC	0.010UF	Z
C507			CK14B1H103K	C,CERAMIC HIK AXIAL		
C509			CK45FB1H181K	CERAMIC	180PF	K
C510			CE04KW1C101M	ELECTRO	100UF	16WV
C511			CE04KW1A331M	ELECTRO	330UF	10WV
C512			CK14B1H103K	C,CERAMIC HIK AXIAL		
C601-604			CK14B1H101K	C,CERAMIC HIK AXIAL		
C605			CK14F1E223Z	CERAMIC	0.022UF	Z
C606			CE04KW1H010M	ELECTRO	1.0UF	50WV
C607			CK14F1E223Z	CERAMIC	0.022UF	Z
C608			CE04KW1A101M	ELECTRO	100UF	10WV
C609			CK14F1E223Z	CERAMIC	0.022UF	Z
C610			CE04KW1A331M	ELECTRO	330UF	10WV
C611			CK14F1H471K	C,CERAMIC HIK AXIAL		
C651,652			CK14B1H221K	C,CERAMIC HIK AXIAL		
C653			CK45FF1H103Z	CERAMIC	0.010UF	Z
C654,655			CK14B1H103K	C,CERAMIC HIK AXIAL		

L : Scandinavia    K : USA    P : Canada    R : Mexico  
Y : PX(Far East, Hawaii)    T : Europe    E : Europe    G : Germany  
Y : AAFES(Europe)    X : Australia    M : Other Areas

Δ indicates safety critical components.

DP-3080MKII/3090

PARTS LIST

\* New Parts  
Parts without **Parts No.** are not supplied.  
Les articles non mentionnés dans le **Parts No.** ne sont pas fournis.  
Teile ohne **Parts No.** werden nicht geliefert.

3

Ref. No	Add-ress	New Parts	Parts No.	Description	Desti-nation	Re-marks
C702			CE04KW1A101M	ELECTRO 100UF 10WV		
C704			CE04KW1A331M	ELECTRO 330UF 10WV	E	
C704			C90-1817-05	ELECTRO 100UF 10WV	TM	
C707			CC45SL1H470J	CERAMIC 47PF J		
C707			CK45FB1H101K	CERAMIC 100PF K		
C708,709			CK45FF1H103Z	CERAMIC 0.010UF Z		
C711,712			CC45SL1H330J	CERAMIC 33PF J		
C714			CK45FF1H103Z	CERAMIC 0.010UF Z		
C716			CE04KW1A221M	ELECTRO 220UF 10WV		
C717			CK14B1H103K	C.CERAMIC HIK AXIAL		
C718			CC45SL1H100J	CERAMIC 10PF J		
C719			CC45SL1H330J	CERAMIC 33PF J		
C801,802			CK45FB1H151K	CERAMIC 150PF K		
C803,804			CC45SL1H390J	CERAMIC 39PF J		
C805,806			CK45FB1H181K	CERAMIC 180PF K		
C807,808			CK45FB1H151K	CERAMIC 150PF K		
C813,814			CQ92FM1H563J	MYLAR 0.056UF J		
C815,816			CF92FV1H562J	MF-C 5600PF J		
C819,820			CE04KW1E220M	ELECTRO 22UF 25WV	E	
C819,820			C90-1814-05	ELECTRO 22UF 25WV	TM	
C821,822			CK45FB1H471K	CERAMIC 470PF K		
C825			CK45FF1H103Z	CERAMIC 0.010UF Z		
C826			CE04KW1C470M	ELECTRO 47UF 16WV		
C827			CE04KW1H4R7M	ELECTRO 4.7UF 50WV		
C851,852			CE04KW1H2R2M	ELECTRO 2.2UF 50WV		
C855,856			CK45FB1H471K	CERAMIC 470PF K		
C858-860			CK45FB1H101K	CERAMIC 100PF K		
C871,872			CK14F1H471K	C.CERAMIC HIK AXIAL		
C891			CQ92FM1H104J	MYLAR 0.10UF J		
C902			CE04KW1C470M	ELECTRO 47UF 16WV		
C903			CK14F1E223Z	CERAMIC 0.022UF Z		
CP102			E35-1608-08	CN.WAFER 7.92MM		
CP201			E40-8172-08	CN.FPC 1.25MM		
CP401			E35-1606-08	CN.WAFER 2.5MM		
CP601			E35-1609-08	CN.FPC 1.25MM		
CP851			E35-1605-08	CN.WAFER 2.5MM		
CP901			E40-9996-08	CN.FPC 1.25MM		
JK651			E11-0333-08	JACK,D3.5		
JK801			E63-0188-08	TER,RCA 2PIN		
JK851			E11-0339-08	JACK,D6.5		
PT101		*	L07-2443-08	POWER TRANS	ET	
PT101		*	L07-2444-08	POWER TRANS	M	
BD651,652			L92-0056-08	BEAD,COIL		
BD851,852			L92-0056-08	BEAD,COIL		
L201			L40-1001-17	COIL,FILTER-INDUCTOR		
L651			L33-0537-08	COIL,FILTER-INDUCTOR		
XT601			L78-0209-05	RESONATOR,CERAMIC		
XT701			L77-2183-08	CRYSTAL		
R511			RD14GB2E3R3J	FL-PROOF RD 3.3 J 1/4W		
R512			RD14GB2E101J	FL-PROOF RD 100 J 1/4W		
R513			RD14GB2E3R9J	FL-PROOF RD 3.9 J 1/4W		
R704			RD14GB2E390J	FL-PROOF RD 39 J 1/4W		
R711			RD14GB2E4R7J	FL-PROOF RD 4.7 J 1/4W		

L : Scandinavia K : USA P : Canada R : Mexico  
Y : PX(Far East, Hawaii) T : Europe E : Europe G : Germany  
Y : AAFES(Europe) X : Australia M : Other Areas

△ indicates safety critical components.

\* New Parts  
Parts without **Parts No.** are not supplied.  
Les articles non mentionnés dans le **Parts No.** ne sont pas fournis.  
Teile ohne **Parts No.** werden nicht geliefert.

4

Ref. No	Add-ress	New Parts	Parts No.	Description	Desti-nation	Re-marks
VR301			R39-0010-08	VR,SEMI M.GLAZE-MOLD		
VR302		*	R32-0066-08	VR,SEMI M.GLAZE-MOLD		
VR303		*	R32-0067-08	VR,SEMI CERMET MOLD		
S901-927			S70-0030-08	SW,TACT	M	
SL101			S90-0123-08	SW,SLIDE		
SW101		*	S68-0084-08	SW,PUSH		
SW651			S62-0069-08	SW,SLIDE		
D101			1N4148M	D,SWITCHING		
D102			1N4148M	D,SWITCHING		
△ D103-106			1N4002A	D,RECTIFIER		
△ D107			1N4148M	D,SWITCHING		
△ D201,202			1N4148M	D,SWITCHING		
D203-205			1N4148M	D,SWITCHING		
D206			1N4148M	D,SWITCHING		
D301,302			1N4148M	D,SWITCHING		
D650			1N4148M	D,SWITCHING		
D652-654			1N4148M	D,SWITCHING		
D655-658			1N4148M	D,SWITCHING		
D702,703			1N4148M	D,SWITCHING		
D801,802			1N4148M	D,SWITCHING		
D901-907			1N4148M	D,SWITCHING		
F901			FIP9KM5	DISPLAY,FLT		
△ IC101		*	KIA7808AP	IC,LINEAR-REGULATOR		
△ IC102			ICP-N20	IC(PROTECT)		
△ IC103			KIA7812PI	IC,LINEAR-REGULATOR		
IC104			NJM79M12FA	IC(VOLTAGE REGULATOR/ -12V)		
IC201			LA6541D	IC(BTL DRIVER)ER		
IC301			CXA1782BQ	IC(RF SERVO)F SERVO		
IC401			NJM4558DD	IC(OP AMP X2)		
IC501			CXD2507AQ	IC,OPTICAL-DSP		
IC601		*	CXP82316-332Q	IC,CPU MICRO PROCESS		
IC602			KIA7042P	IC,LINEAR-RESET		
IC701			KAN03	IC(1 bit DAC(DRIVE))		
IC801,802			NJM4580D-D	IC,LINEAR OP		
IC851			NJM4580D-D	IC,LINEAR OP		
JK652		*	W02-2620-08	MODULE		
Q101			KTA1266(Y)	SEMI,TR/GE PNP 2SA		
Q201		*	2SA1270(Y)	SEMI,TR/GE PNP 2SA		
Q301		*	2SC3198(Y)	SEMI,TR/GE NPN 2SC		
Q302,303			DTA124ES	SEMI,BRT/PNP RA		
Q304			KTA1266(Y)	SEMI,TR/GE PNP 2SA		
Q401			2SC2236	SEMI,TR/GE NPN 2SC		
Q402			KTA1273(Y)	SEMI,TR/GE PNP 2SA		
Q701			KTC3194(O)	SEMI,TR/GE NPN 2SC		
Q801,802			KTC2878	SEMI,TR/GE NPN 2SD		
Q803,804			DTC124ES	SEMI,BRT/NPN RC		
Q805,806			KTC2878	SEMI,TR/GE NPN 2SD		
RM901			W02-2574-08	MODULE,REMOCON		
ZD101			MTZJ30B	D,ZENER		
ZD102			MTZJ5.6B	D,ZENER		
ZD801			MTZJ5.6B	D,ZENER		
ZD802			MTZJ4.7B	D,ZENER		

L : Scandinavia K : USA P : Canada R : Mexico  
Y : PX(Far East, Hawaii) T : Europe E : Europe G : Germany  
Y : AAFES(Europe) X : Australia M : Other Areas

△ indicates safety critical components.

\* New Parts  
 Parts without **Parts No.** are not supplied.  
 Les articles non mentionnés dans le **Parts No.** ne sont pas fournis.  
 Teile ohne **Parts No.** werden nicht geliefert.

Ref. No	Add-ress	New Parts	Parts No.	Description	Desti-nation	Re-marks
<b>MECHANISM ASSY</b>						
1	3B	*	A10-3405-08	MECHA BASE		
2	1B		A15-0090-08	FLAPPER		
3	3A	*	A13-3114-08	FRAME FEED		
10	2B		D13-1754-08	GEAR CENTER		
11	2B		D13-1753-08	GEAR PULLEY		
12	2B		D13-1755-08	GEAR LOAD		
13	1A		D13-1763-04	GEAR (MIDLLE)		
14	2B		D16-0703-08	BELT		
15	1A		D10-3659-04	ROD (GUIDE)		
16	1A		D13-1765-03	GEAR (DRIVING)		
20	2A		E40-3264-05	CONNECTOR S6B-PH		
21	3B		E35-2028-08	WIRE 5P		
23	1B	*	E35-1699-08	CABLE,FLAT CARD(P/U)		
24	3B		E35-1753-08	WIRE 6P		
25	2A		F07-0783-08	RUBBER STOPPER		
26	2B		G09-0557-08	SPRING RACK		
30	2A	*	G11-2367-08	INSULATOR(4B,GREEN)		
31	2A	*	G11-2368-08	INSULATOR(30,RED)		
32	2B	*	J11-0829-08	CLAMPER 4		
33	1B		J21-6409-08	PLATE CLAMPER		
34	2A	*	J90-0853-08	GUIDE FRAME		
35	1A		J90-0844-03	GUIDE (RAIL)		
36	3A	*	J99-0600-08	TRAY		
41	3B		J31-0874-08	HOLDER S/W		
AB			N09-3303-08	SCREW		
AC			N09-3302-08	SCREW WPH 3X8		
AD			N09-3301-08	SCREW		
40	3B		S74-0068-08	SWITCH LEAF		
42	2A		S74-0065-05	LEAF SXUTCH MSX-1731CVCA		
17	3B		D15-0395-08	PULLEY MOTOR		
45	1B		T99-0579-08	MAGNET CORE		
DM	1A		A11-1114-08	DISC MOTOR ASSY		
FM	2A		T42-0872-08	FEED MOTOR ASSY		
LM	3B		T42-0855-08	MOTOR,DC		
PU	1A		T25-0050-05	PICK UP	KCP1H	

**L** : Scandinavia      **K** : USA      **P** : Canada      **R** : Mexico  
**Y** : PX(Far East, Hawaii)      **T** : Europe      **E** : Europe      **G** : Germany  
**Y** : AAFES(Europe)      **X** : Australia      **M** : Other Areas

⚠ indicates safety critical components.

# DP-3080MkII/3090

## SPECIFICATIONS

### [Format]

System .....Compact disc digital audio system  
Laser .....Semiconductor laser

### [D/A Convertors]

D/A Conversion .....1 Bit  
Oversampling .....8 fs (352.8 kHz)

### [Audio]

Frequency response .....4 Hz ~ 20 kHz,  $\pm 0.5$  dB  
Signal to noise ratio.....More than 100 dB  
Dynamic range .....More than 95 dB  
Total harmonic  
distortion + noise.....Less than 0.006% (1 kHz)

Channel separation .....More than 95 dB (1 kHz)  
Wow & flutter .....Unmeasurable Limit  
Output level / impedance  
Fixed.....(MAX)2.0 V/1.2 k $\Omega$   
Digital output  
optical.....-15 dBm ~ - 21 dBm (Wave length 660 nm)  
Headphone output (max.).....20 mW (32  $\Omega$ )

### [General]

Power consumption .....12 W  
Dimensions.....W : 440 mm (17-5/16")  
H : 95 mm (3-3/4")  
D : 366 mm (14-9/16")  
Weight (Net).....4.3 kg (9.5 lb)

# DP-3080MkII/3090

**Note:**

Component and circuit are subject to modification to insure best operation under differing local conditions. This manual is based on Europe (E) standard, and provides information on regional circuit modification through use of alternate schematic diagrams, and information on regional component variations through use of parts list.

## **KENWOOD CORPORATION**

14-6,Dogenzaka 1-chome, Shibuya-ku, Tokyo, 150 Japan

### **KENWOOD SERVICE CORPORATION**

P.O BOX 22745, 2201 East Dominguez St., Long Beach, CA 90801-5745, U.S.A.

### **KENWOOD ELECTRONICS CANADA INC.**

6070 Kestrel Road, Mississauga, Ontario, Canada L5T 1S8

### **KENWOOD ELECTRONICS LATIN AMERICA S.A.**

P.O BOX 55-2791, Piso 6 plaza Chase, Cl. 47 y Aquilino de la Guardia Panama, Republic de Panama

### **KENWOOD ELECTRONICS U.K. LIMITED**

KENWOOD House, Dwight Road, Watford, Herts., WD1 8EB., United Kingdom

### **KENWOOD ELECTRONICS BENELUX N.V.**

Meachelsesteenweg 418, B-1930 Zaventem, Belgium

### **KENWOOD ELECTRONICS DEUTSCHLAND GMBH**

Rembrücker Str. 15, 63150 Heusenstamm, Germany

### **KENWOOD ELECTRONICS FRANCE S.A.**

13 Boulevard Ney, 75018 Paris, France

### **KENWOOD ELECTRONICS ITALIA S.p.A.**

Via G. Sirtori, 7/9 20129, Milano, Italy

### **KENWOOD IBÉRICA S.A.**

Bolivia, 239-08020 Barcelona, Spain

### **KENWOOD ELECTRONICS AUSTRALIA PTY. LTD.**

(A.C.N. 001499 074)

P.O Box 504, 8 Figtree Drive, Australia Centre, Homebush, N.S.W. 2140, Australia

### **KENWOOD & LEE ELECTRONICS, LTD.**

Unit 3712-3724, Level 37, Tower 1, Metroplaza, 223 Hing Fong Road, Kwai Fong N.T., Hong Kong

### **KENWOOD ELECTRONICS GULF FZE**

P.O.Box 61318, Jebel Ali, Dubai, U.A.E.

### **KENWOOD ELECTRONICS SINGAPORE PTE LTD.**

No. 1 Genting Lane #02-02, KENWOOD Building, Singapore, 349544

### **KENWOOD ELECTRONICS (MALAYSIA) SDN BHD.**

#4.01 Level 4, Wisma Academy Lot 4A, Jalan 19/1 46300 Petaling Jaya Selangor Darul Ehsan Malaysia